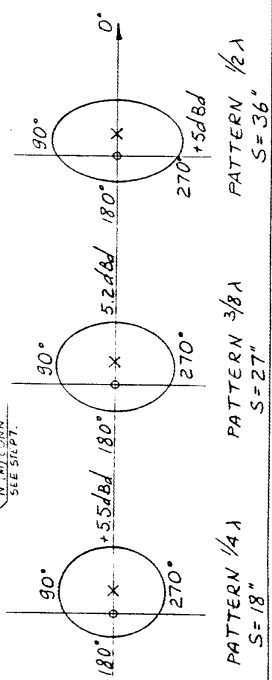
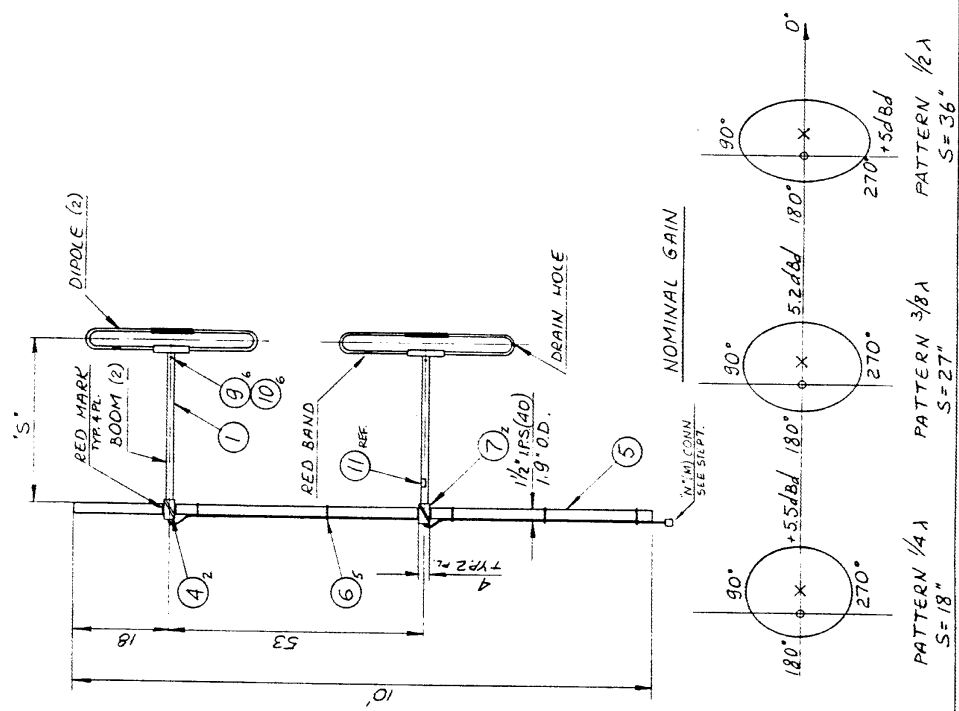


REVISION	DATE	BY	APP
3	29/83	ECN # 6378	
2	15/86	ECN 6288	
1	10/91	EO # 7638	



ITEM	PART NO.	DESCRIPTION	Q

REPLACES 8-AD-1195

DESIGN COND.	MARK	ICE	HORIZONTAL THRUST	LB.	SECOND MOMENT	FT. L	
ADDITIONAL DRAWINGS							
TIGHTENING TORQUES FOR NON-LUBRICATED STEEL BOLTS							
PL 457269	BOLT SIZE		TORQUE	BOLT SIZE	TORQUE	BOLT SIZE	TORQUE
	1/4-20	5 FT. LB.	3/8-16	20 FT. LB.	5/8-11	85 FT. LB.	85 FT. LB.
	5/16-18	11 FT. LB.	1/2-13	40 FT. LB.	3/4-10	110 FT. LB.	110 FT. LB.

The Copyright in this document is reserved by Sinclair Radio Laboratories Limited. This document is issued on the condition that it is not copied, reproduced or distributed to any other party without the written consent of Sinclair Radio Laboratories Limited.

TITLE: **SRL-210 A-2 ANT. 138-174 MHz**

CUSTOMER ASSEMBLY

DRAWN BY	DATE	SIZE	DRAWING NO.
LT	27/11/86	B	015709 4
CHECKED BY	DATE	APPROVED BY	
E.G.	30.3.87		
APPROVED BY	DATE		
	8/2/87		

SINCLAIR
TORONTO - VANCOUVER
MONTREAL - TORONANDA

ASSEMBLY PROCEDURE

- Install two clamps (7) onto mast (5). Note, that each clamp must be positioned between two red lines on the mast. (2 pl.).
- Ensure that both clamps are aligned.
- Place boom into clamps (7). Tighten clamping items (6) and (10).
- Place dipole into clamps (7). Set the spacing 'S' according to the desired pattern. Check dipole alignment. Ensure that red lines on dipole are aligned with the boom.
- Press rubber plugs (4) into boom (2) when the clamps are secured.
- Secure harness of item (1) to the antenna mast (5) in 5 pl. using items (6).
- Run line to the antenna's input connector and weatherproof the junction per SRL spec. AG16199, using item (8).

NOTES:

- Design conditions - 85 Mph wind and 0.5" radial ice.
- If antenna is side mounted, radiation pattern in the 90-180 deg. and 180-270 deg. quadrants are affected by the tower.