

36" 1/2"
18" 1/4"

ITEM	PART NO.	DESCRIPTION	QTY.
		PARTS LIST	

ASSEMBLY PROCEDURE:

- ATTACH BOOM TO DYPOLE USING ITEM (9) AND (10).
- ATTACH ITEM (1) TO ITEM (5) USING ITEM (7) AS INDICATED BY RED MARKS.
- PRESS ITEM (4) IN PLACE. SET DIMENSION 'S'.
- MAKE CERTAIN RED BANDS ON DYPOLES ARE UP AND TIGHTEN CLAMPS.
- ENSURE THAT INPUT CONNECTION IS ADEQUATELY WEATHERPROOFED AFTER ATTACHMENT TO TRANSMISSION LINE.

DESIGN CONDITIONS:

- 85 MPH WIND AND 1/2" RADIAL ICE.
- IF ANTENNA IS SIDE MOUNTED, RADIATION PATTERNS IN THE 30°, 180° AND 190°-270° QUADRANTS ARE AFFECTED BY TOWER.

210A-ant.

DESIGN COND.	MPH.	ICE	HORIZONTAL THICKNESS	LB.	SEWING CORNER	FT. LB.
ADDITIONAL DRAWINGS						

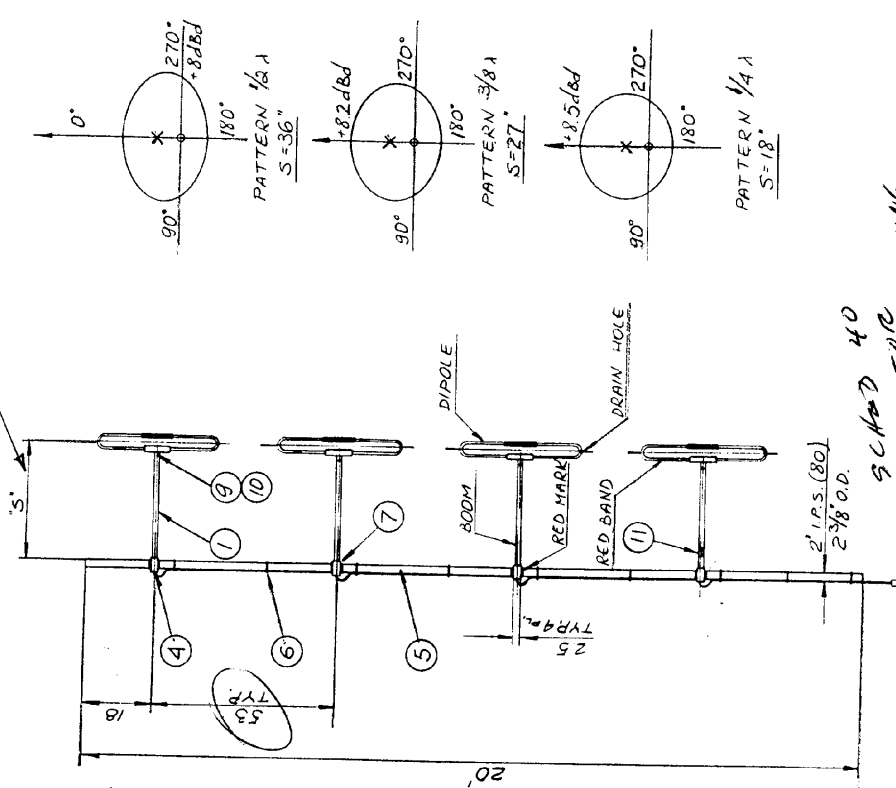
TIGHTENING TORQUES FOR NON-LUBRICATED STEEL BOLTS			
BOLT SIZE	TORQUE	BOLT SIZE	TORQUE
1/4-20	5 FT. LB.	3/8-16	20 FT. LB.
3/8-18	11 FT. LB.	1/2-13	40 FT. LB.
		3/4-11	85 FT. LB.
		3/4-10	110 FT. LB.

The Copyright of this document is reserved by Sinclair Radio Laboratories Limited. This document is issued on the condition that it is not copied, reproduced or distributed in any other party without the written consent of Sinclair Radio Laboratories Limited.

TITLE: 210 A-4 ANT. 138-174 MHZ

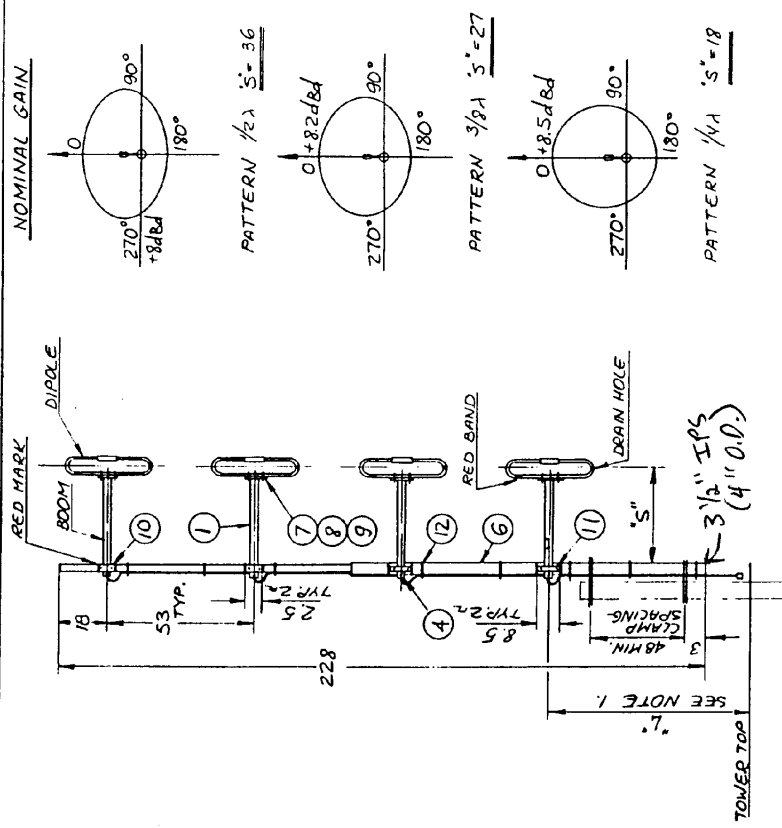
CUSTOMER ASSEMBLY

DRAWN BY	L.T.	DATE	21.11.36	SIZE	B	DRAWING NO.	015710	SHEET	1 OF 1
CHECKED BY	E.G.	DATE	20.3.37						
APPROVED BY	P.C.	DATE	20.03.37						



REVISION	DATE	BY	REVISION	DATE	BY
2	25/11/36	ECN # 6288	1		
3	29/3/37	ECN # 6378	2		

REV. DATE	REV. DATE	REV. DATE	REV. DATE
0299	52918	52918	52918
ECN #6270	ECN #6578		



ITEM	PART No.	DESCRIPTION	QTY.
		PARTS LIST	

DESIGN COND. 210	M.F.P.	1/2	SIZE	HORIZONTAL	THURST	LR	REVISION	NO. 1	PT. LB.
TIGHTENING TORQUES FOR NON-LUBRICATED STEEL BOLTS									
BOLT SIZE		TORQUE		BOLT SIZE		TORQUE		TORQUE	
1/4-20		5 FT. LB.		3/8-16		20 FT. LB.		86 FT. LB.	
5/16-18		11 FT. LB.		1/2-13		40 FT. LB.		110 FT. LB.	

210A-HD

ASSEMBLY PROCEDURE:

- ATTACH BOOM TO DIPOLE USING ITEMS 7, 8, 9.
- ATTACH ITEM 1 TO ITEM 6 USING ITEMS 10 AND 11 AS INDICATED BY RED MARKS.
- PRESS ITEM 4 IN PLACE, SET DIMENSION "S".
- SECURE CABLE USING ITEM 12.
- MAKE CERTAIN RED BANDS ON DIPOLES ARE 4P AND TIGHTEN CLAMPS.

Copyright © 1986 by Sinclair Radio Laboratories Limited. This document is loaned on the condition that it is not copied, reproduced or distributed in any other form without the written consent of Sinclair Radio Laboratories Limited.

210A-A H.D. ANT. TOP MOUNTING

CUSTOMER ASSEMBLY

DESIGNED BY	L.T.	DATE	29.9.86	SIZE	B
CHECKED BY	E.G.	DATE	1.10.86	REV.	025218
APPROVED BY	P.A.C.	DATE	15.10.86	SHEET	1 OF 1

NOTES:

- RECOMMENDED MINIMUM SUPPORT MAST (NOT SUPPLIED) 4" IPS SCH. 80. LENGTH 1' PER CLEARANCES SPECIFIED IN ANTENNA INSTALLATION GUIDE C015067.
- HEAVY DUTY MTF CLAMPS (NOT SUPPLIED) ARE RECOMMENDED. USE QTY. 2 # 153 CLAMPS FOR SUPPRT MAST Ø. 5" OR LESS.