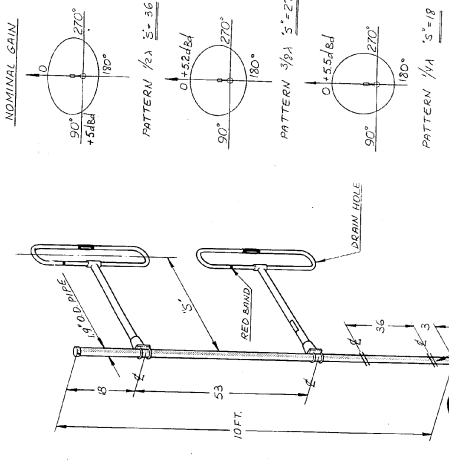


REV	DATE	BY	ISSUE	REVISION
2	5/11/86	ECM #6295		
1	8/2/85	EA #7638		



ITEM	PART No.	DESCRIPTION	QT
1		SRL-210C-2 ANT. ASSY	1
2	A016199	WEATHERPROOFING KIT WPK-2	1

PARTS LIST			
------------	--	--	--

DESIGN CONDITIONS:
 1. 85 MPH WIND AND 1/2" RADIAL ICE.
 2. IF ANTENNA IS SIDE MOUNTED, RADIATION PATTERNS IN THE 90°-180° AND 180°-270° QUADRANTS ARE AFFECTED BY TOWER.

DESIGN CODE	WPK	SECTIONAL THICKNESS	LB.	BENDING MOMENT	FT. LB.
ADDITIONAL DRAWINGS					
TIGHTENING TORQUES FOR NON-LUBRICATED STEEL BOLTS					
BOLT SIZE	TORQUE	BOLT SIZE	TORQUE	BOLT SIZE	TORQUE
1/4-20	5 FT. LB.	3/8-16	20 FT. LB.	3/8-11	85 FT. LB.
5/16-18	11 FT. LB.	1/2-13	40 FT. LB.	3/4-10	110 FT. LB.

The Copyright of this document is reserved by Sinclair Radio Laboratories Limited. This document is issued on the condition that it is not copied, reprinted or distributed in any other form without the written consent of Sinclair Radio Laboratories Limited.

FILE: **SRL-210 C-2 ANTENNA (138-174 MHz)**
CUSTOMER ASSEMBLY

DESIGNED BY	L.T.	DATE	5.11.86	SIZE	
CHECKED BY	E.G.	DATE	5.11.86	REV	B
APPROVED BY	P.C.	DATE	5.11.86	QTY	1 OF 1

SINCLAIR
 TORONTO - WILCOUVER
 MONTREAL - TONAWANDA